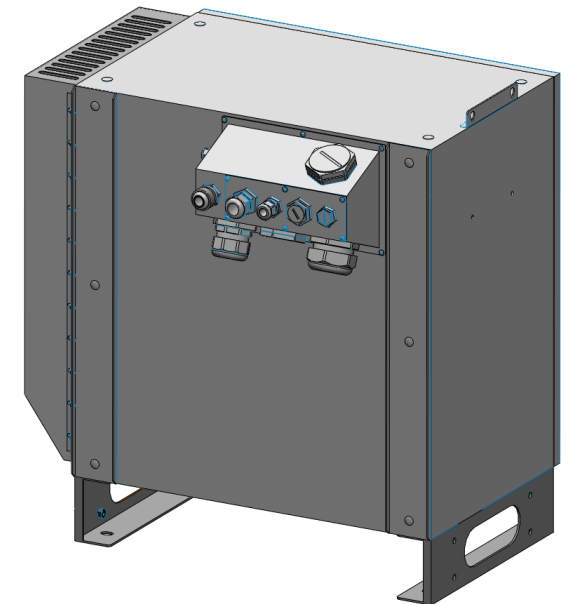


## 600A SIV31C Welding cabinet for Robot Gun

Type	SIV316-2002194,SIV31C-6A-R
Power supply	Three-phases 220V/380V/400V/420V/440VAC - 50/60 Hz Allowed voltage fluctuation is $\pm 20\%$ of the preset voltage.
Power rated frequency	50/60 Hz
Power consumption	100 W (without conduction)
Frequency	1000 and 1800 Hz
Cooling way	Reinforced air cool
Ambient temperature	0 to 40 °C
Control method	All digital control, synchronous type
IGBT Type	600 A (external replacement)
Current control	Constant-voltage control / Constant-current control Self-adaption
Control series	255 series
Current feedback	Primary / Secondary current feedback by the CT
Communication mode Network communication (option)	RS485 / Ethernet Lan or Wifi network
Bus sort (optional)	Profinet, Devicenet, Ethernet IP, CANopen
Storage period for setup data	10 years (setup data)
Setting mode	TP-PC (laptop) or TP-C (pocket)
Weight	80,5 Kg



# 1200A SIV31C Welding cabinet for Robot Gun

Type	SIV3112-2002241,SIV31C-12-R
Power supply	Three-phases 220V/380V/400V/420V/440VAC - 50/60 Hz Allowed voltage fluctuation is $\pm 20\%$ of the preset voltage.
Power rated frequency	50/60 Hz
Power consumption	100 W (without conduction)
Frequency	1000 and 1800 Hz
Cooling way	Water cooling
Ambient temperature	0 to 40 °C
Relative humidity	90% max. (No condensation)
Cooling water temperature	30 °C or less
Flow rate	6 L/min
Maximum water pressure	0.3 Mpa or less
Electric resistance	5000 $\Omega$ cm or more
Control method	All digital control, synchronous type
IGBT Type	1200 A
Current control	Constant-voltage control / Constant-current control Self-adaption
Control series	255 series
Current feedback	Primary / Secondary current feedback by the CT
Communication mode Network communication (option)	RS485 / Ethernet Lan or Wifi network
Bus sort (optional)	Profinet, Devicenet, Ethernet IP, Canopen
Storage period for setup data	10 years (setup data)
Setting mode	TP-PC (laptop) or TP-C (pocket)
Weight	122 Kg

